

SB-1000Z

STATIC SHIELDING BAG, ZIP TOP RECLOSABLE

This transparent, metallized static shield bag provides a static safe environment for sensitive electronic devices. Four layer construction. Polyester dielectric and metal layer provide Faraday effect shielding of ESD and fields. Tribocharging is minimized by the specially processed polyethylene. Flat and zipper closure styles. Coded for QC traceability.

Standards

Meets the requirements of EIA 541, EIA 625, MILHDBK- 263, MIL-STD-1686, and EOS/ESD Standards.

Specifications

Electrical Properties:

	Typical Values
Surface Resistivity / Resistance	ASTM D257 or ANSI/ESD STM11.11
Interior	$<10^{12}$ ohms/square or $<10^{11}$ ohms
Exterior	$<10^{12}$ ohms/square or $<10^{11}$ ohms
Metal	100 ohms
Static Shielding	< 30 volts EIA 541
Static Shielding	< 10 nJ EOS/ESD S11.31
Static Decay	< 0.05 seconds FTMS 101 MTH 4046

Charge Generation

Teflon	0.09 nC/sq.in. Modified Inclined Plane
Quartz	0.01 nC/sq.in.

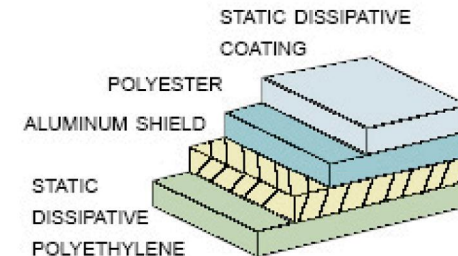
Physical Properties:

Tensile Strength	>25 lbs ASTM D 882
Seam Strength	Pass
Light Transmission	40 % Tobias
Heat Sealing Conditions	
Temperature	250 F - 375 F
Time	0.5 - 3.5 seconds
Pressure	30 - 70 PSI
Thickness	3.1 mils SCC 008
Outgassing	Pass ASTM E595
Non-corrosive	Pass FTMS 101 MTH 3005



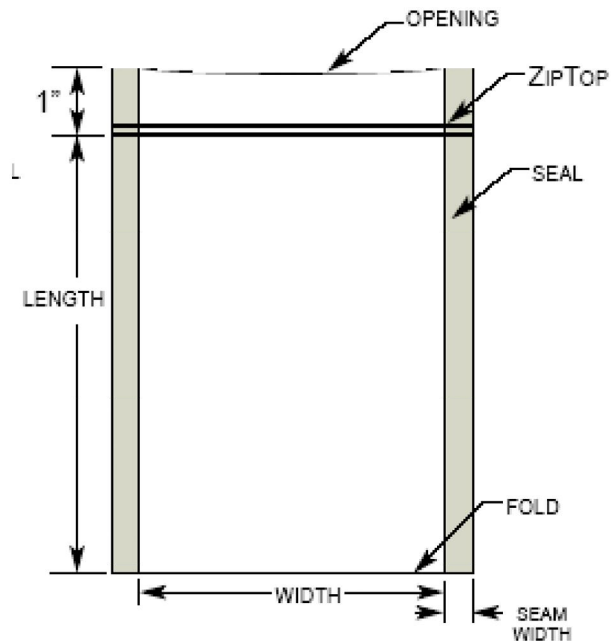
Material Structure

SB-1000Z open top and ZipTop static shielding bags are manufactured from industry approved Polyester/Metal/Polyethylene laminates. The polyester dielectric in concert with the metal layer provide Faraday Effect shielding of an Electrostatic Discharge (ESD). The metal layer prevents the penetration of damaging electrostatic fields. Tribocharging is minimized by the specially processed polyethylene.



SB-1000 Zip Top Standard Sizes (All Bag Sizes are Inside Dimensions in Inches)			
W x L	W x L	W x L	W x L
2x3	5x8	8x10	12x12
3x3	5x10	8x12	12x16
3x5	6x8	9x12	12x18
4x4	6x10	10x12	14x18
4x6	6x24	10x14	15x18
4x8	6x30	10x24	16x24
4x24	7x15	10x30	18x18
4x30	8x8	11x15	18x24

SCC 1000 ZipTop



4916 26th Street West, Suite 100
 Bradenton, Florida 34207
Toll Free 877-GND-ZERO (463-1376),
Direct Phone 941-751-7581
Fax 1-941-751-7586
Email sales@gndzero.com
<http://www.gndzero.com>